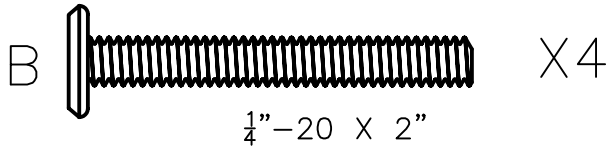
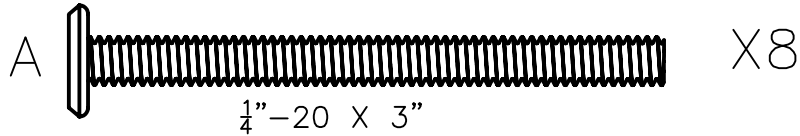


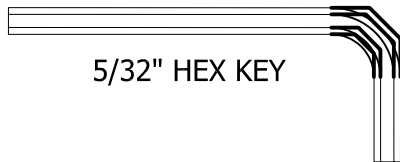
DO NOT fully tighten the bolts until all bolts are started. Once all bolts are inserted, then go back and tighten all the bolts.

ROUND TABLE ASSEMBLY INSTRUCTIONS

HARDWARE



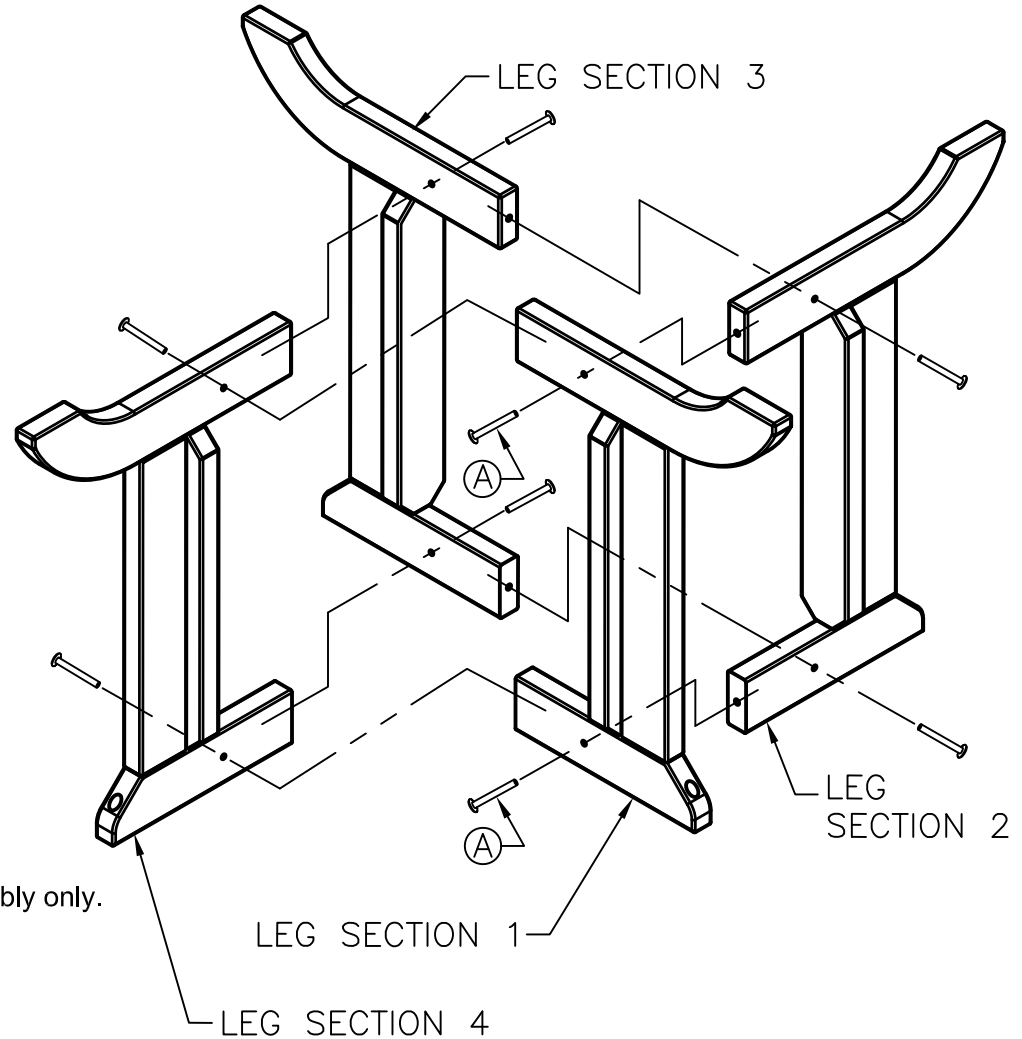
INCLUDED TOOLS



NOTE: All 4 Leg Sections are identical and numbered for order of assembly only.

NOTE: DO NOT tighten bolts until Table is fully assembled.

- 1) Attach leg section 1 to leg section 2 with 2 A bolts.
- 2) Attach leg section 2 to leg section 3 with 2 A bolts.
- 3) Attach leg section 3 to leg section 4 with 2 A bolts.
- 4) Attach leg section 4 to leg section 1 with 2 A bolts.



AD-DRT-36
11-30-16

highwood[®]
NATURE'S CLOSEST RIVAL

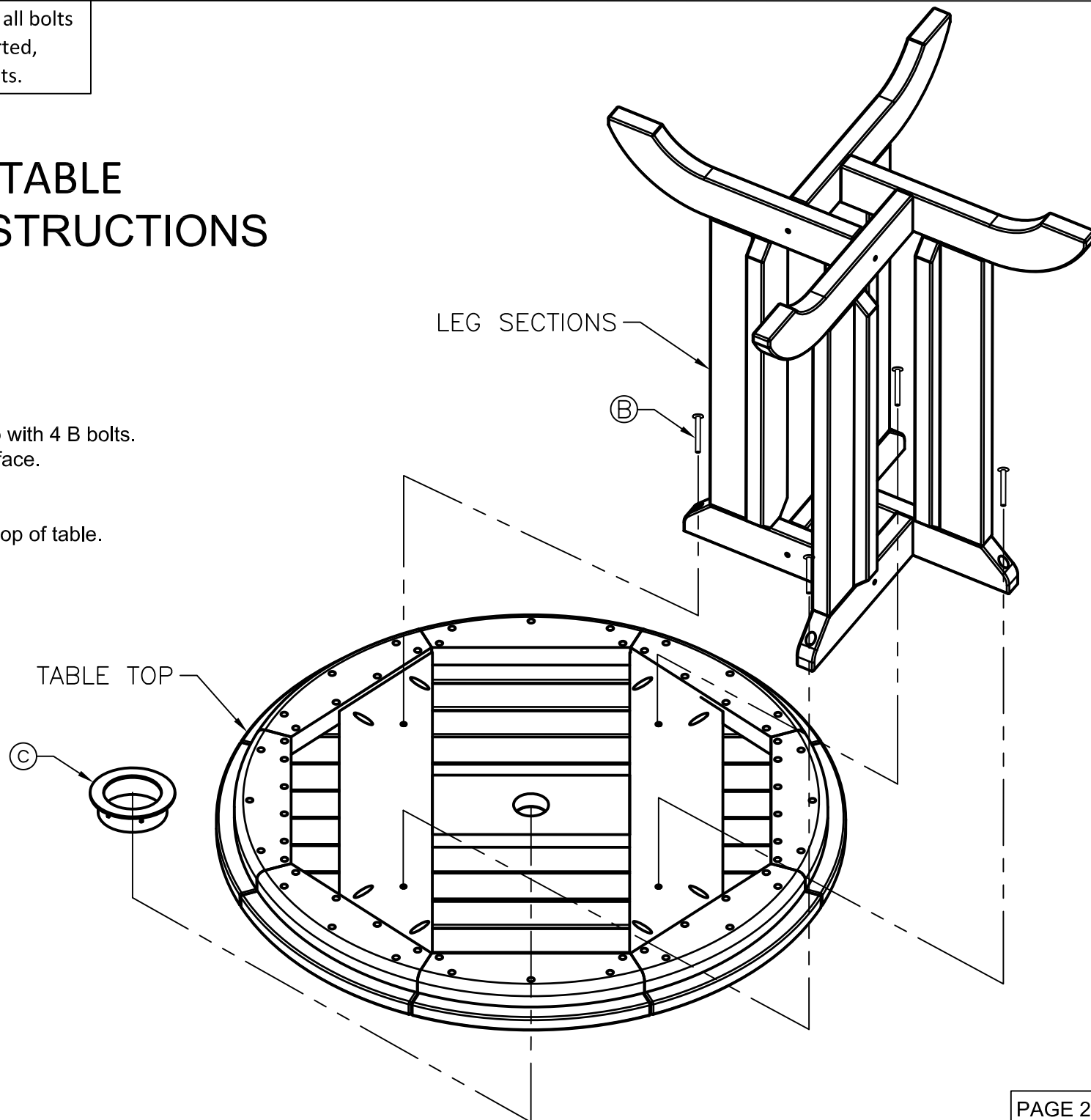
For information on Care and Cleaning your **highwood**[®] product visit www.highwood-usa.com/care.html
Visit our Website and Facebook page to see more **highwood**[®] products!
www.highwood-usa.com www.facebook.com/highwoodUSA

PAGE 1 OF 2

DO NOT fully tighten the bolts until all bolts are started. Once all bolts are inserted, then go back and tighten all the bolts.

ROUND TABLE ASSEMBLY INSTRUCTIONS

- 5) Attach leg sections to table top with 4 B bolts.
- 6) Turn table upright onto flat surface.
- 7) Tighten all 4 B bolts.
- 8) Tighten all 8 A bolts.
- 9) Install umbrella grommet C in top of table.



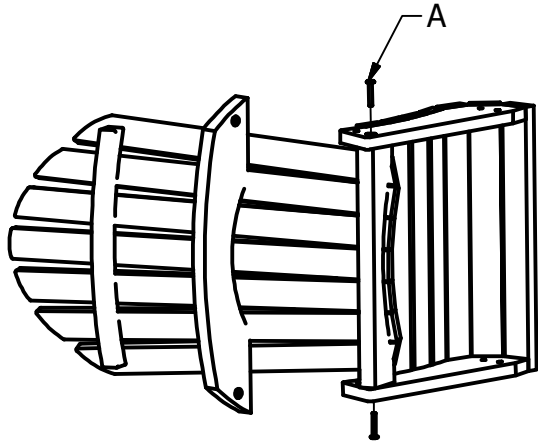
AD-DRT-36
11-30-16

highwood[®]
NATURE'S CLOSEST RIVAL

Adirondack Collection

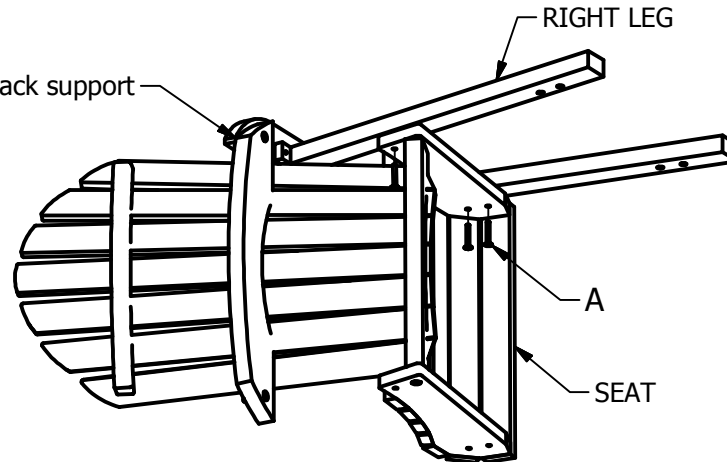
Hamilton Counter Deck Chair

Assembly Guide



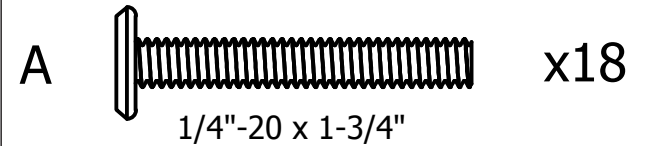
- 1) Insert an A bolt into lower hole to on each side attach Seat to Back. Make sure the back is fully upright. Make bolts snug, but do not overtighten.

Note: arm above back support



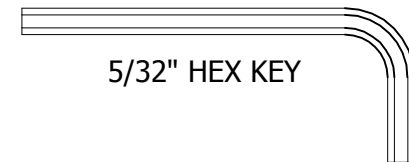
- 2) Attach Right Leg to Seat using three A bolts.

HARDWARE



IMPORTANT!
DO NOT fully tighten the bolts until all bolts are started. Once all bolts are inserted, go back & tighten all the bolts.
Retain these instructions for future reference

INCLUDED TOOLS

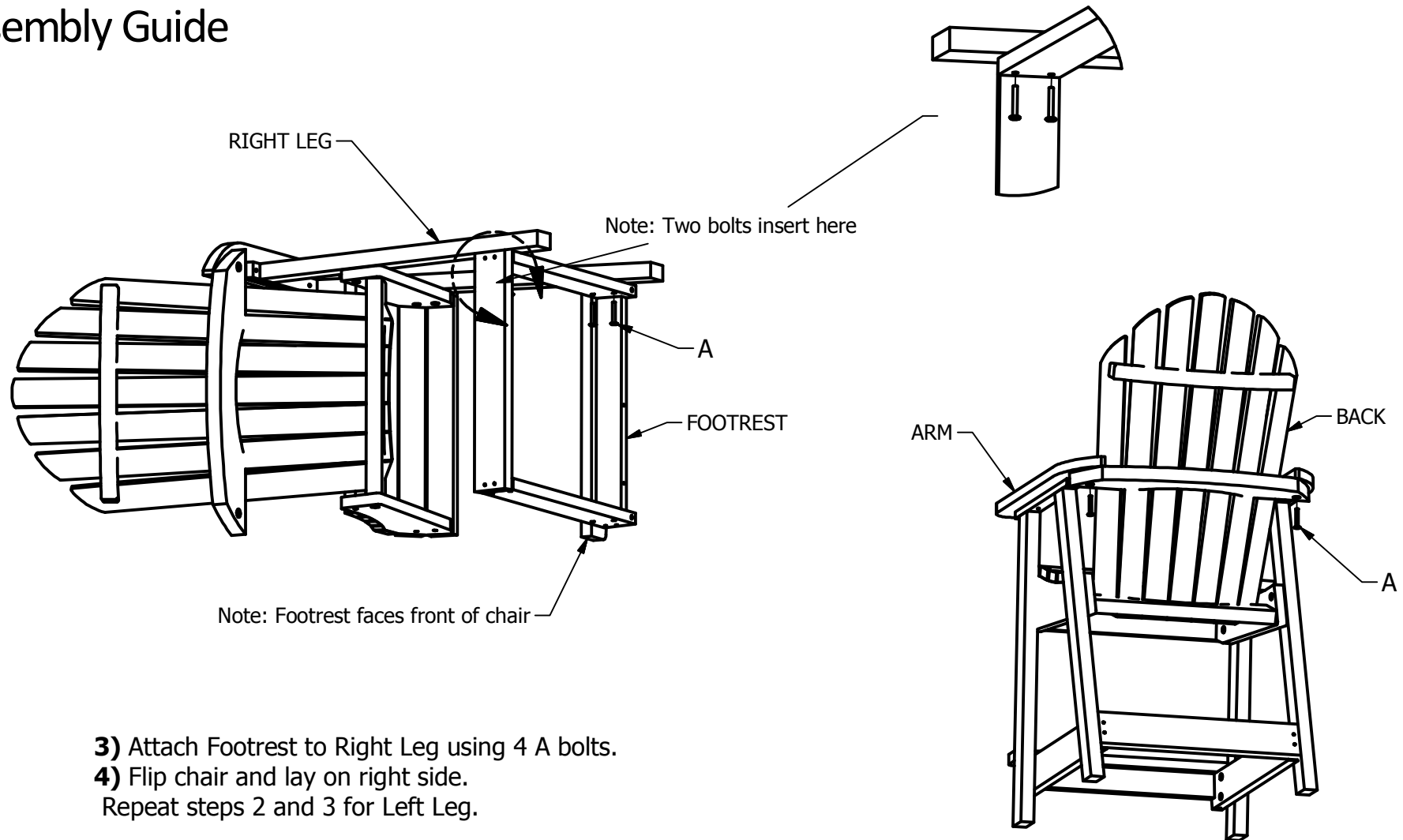


5/32" HEX KEY

Adirondack Collection

Hamilton Counter Deck Chair

Assembly Guide



3) Attach Footrest to Right Leg using 4 A bolts.

4) Flip chair and lay on right side.
Repeat steps 2 and 3 for Left Leg.

5) Attach arms to the back using 2 A bolts.

6) Tighten all bolts. Enjoy your *highwood*[®] chair!